



# ACE

## Electric Forklift

**Capacity : 5 Ton**

High Performance & rugged  
Electric Forklift Trucks.



**ACE** INDIA'S NO. 1  
CRANE BRAND





## STANDARD SPECIFICATIONS

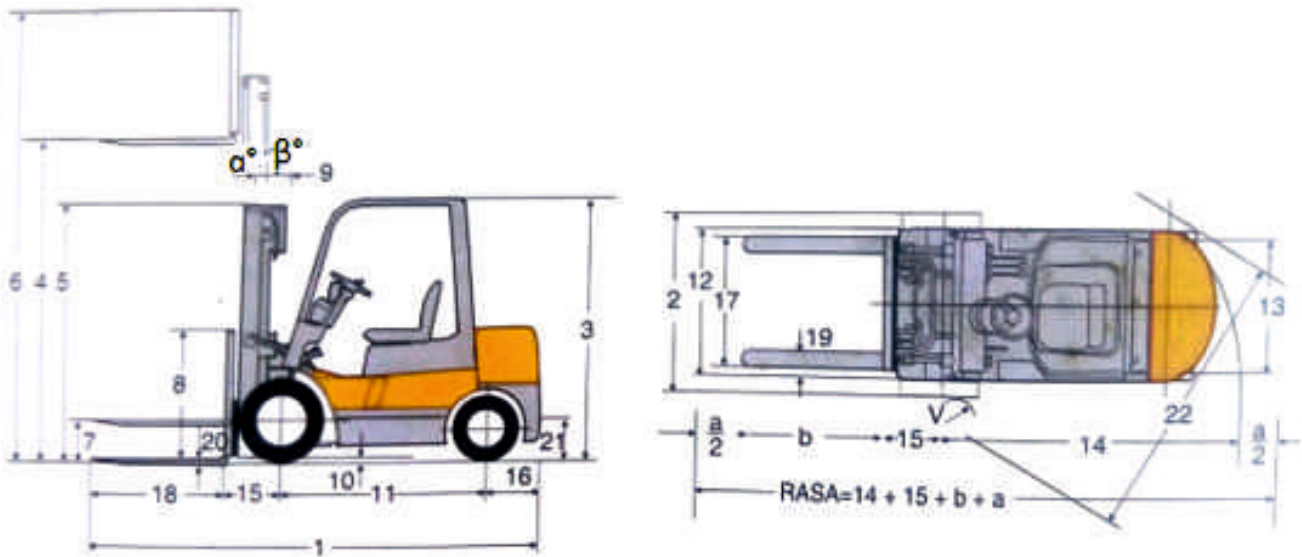
Model	Units	AF50E		
Power		Battery Power (Electric)		
Load Capacity	kg	5000		
Load Center	mm	600		
Fork Size (LxWxT)	mm	1220x150x50		
Tilt Angle (F/B)	deg	6/12		
Overall Width	mm	1495		
Overhead Guard Clearance	mm	2250		
Overall Length	mm	4300		
Wheel Base	mm	2000		
Ground Clearance (Under Chassis)	mm	125		
Travel Speed (laden/unladen)	kmph	10/12		
Gradeability (laden/unladen)	% (Deg)	18 (10.2°)		
Total Weight	Kg	7420		
Weight Distribution	With Load	Front	Kg	10855
		Rear	Kg	1565
	Without Load	Front	Kg	3265
		Rear	Kg	4155
Tyre (Solid)	Front	Size	28x12.5-15	
	Rear		23x10-12	
Drive motor	kW	17.5		
Hydraulic Motor	kW	25		
Battery Rating	V/Ah	80V/700Ah		
Electronic Controller		Curtis Make		

## Mast Details

Mast type	Maximum Fork Height (mm)	Load capacity (kg) @MFH	Overall height lowered (mm)	Overall height Raised (mm)	Free lift (mm) (Without load backrest)	Tilt Angle (F/B)	Weight of Forklift (Kgs)
Double Mast (STD)	3000	5000	2210	4585	150	6/12	7420
Double Mast (FFL) *	3000	5000	2210	4585	1550	6/12	7526
Double Mast (STD)	3600	5000	2525	5185	150	6/12	7726
Triple Mast (FFL) *	4500	4000	2225	6085	1550	6/6	7905
Triple Mast (FFL)	6000	2500	2900	7585	1980	3/6	8356

\* Suitable for container stuffing

\*\* FFL – Full free lift



### STANDARD DIMENSIONS

Sr. No.	Model	AF50E
1	Overall Length (with Fork)	4300
2	Overall width	1495
3	Overall Height (Overhead Guard)	2260
4	Lifting Height (std.)	3000
5	Overall height fork lowered	2180
6	Overall height (With Backrest)	4310
7	Free Lift	150
8	Backrest height (from upper face of forks)	1235
9	Tilting Angles ( $\alpha/b$ )	6° ~ 12°
10	Min. Clearance (bottom of mast)	95
11	Wheel Base	2000
12	Trade (Front)	1180
13	Trade (Rear)	1195
15	Fork overhung	515
16	Rear overhung	525
17	Lateral fork adjustment (Min - Max.)	300~1380
18	Fork length	1220
19	Fork width	150
20	Fork thickness	50
21	Coupler Height	225
22	Outside turning Radius (Inner/Outer)	2750/3200

\* All Dimensions are in mm.

\* RASA = Right Angle Stacking Aisle, a = Operator Clearance, b= Load Length

**Note :**

1. ACE reserves the right to alter any specifications without prior notice.
2. Dimensions, Weights & Capacities mentioned herein are variable by  $\pm 5\%$ .
3. Accessories, if shown are not part of the standard equipment.



## STANDARD EQUIPMENT

- Wide view mast
- Load backrest
- Standard forks
- Power steering
- Retaining rollers
- Overhead guard
- Standard seat (Adjustable)
- Drawbar pin
- Return hydraulic filter
- Battery discharge indicator
- Discharge lift cutoff
- Tilt adjustable steering wheel
- Turn indicator Lights
- Hour meter
- Halogen head lights
- Rear combination lights
- Rear view mirrors
- Reverse buzzer
- Electric horn
- Rubber floor mat
- Tool kit

## OPTIONAL EQUIPMENT

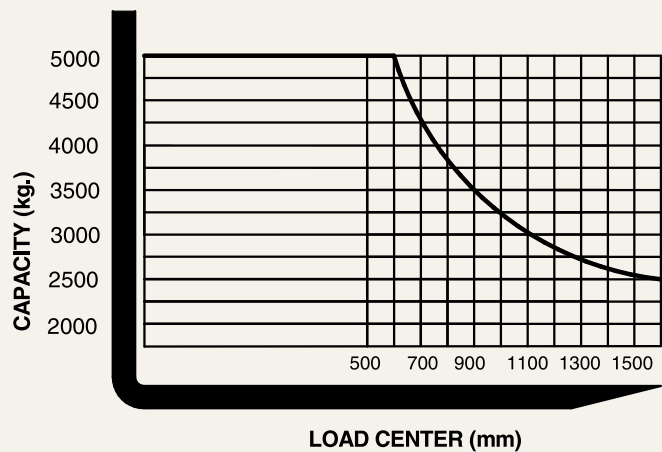
- Different Mast Type (Refer Mast Details)
- Long Forks
- Extra spool(s) / Hose adaptation package
- Non - marking tyres
- Fire extinguisher
- Safe load indicator
- Blue spot light
- Red safe zone light
- Biometric Access system
- Operator presence system
- Auto greasing system
- Rear view camera
- Rear proximity sensor

## OPTIONAL ATTACHMENTS

- Fork rotator
- Paper roll clamp
- Fork extensions
- Side shifter
- Fork positioner
- Hinged forks with bucket
- Carton clamp
- Crane attachment
- Bale clamp
- Parrot beak attachment

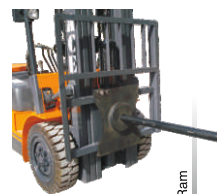


## LOAD CHART



Note : Above Load Chart is for standard lift height of 3.0m STD & 3.6m STD

## Attachments






# COMPLETE INTRALOGISTIC SOLUTION



*Nothing beats an ACE*

**Electric/Li-ion Forklifts**




1.5T - 3.0T      4.5T - 8.0T

**Diesel Forklifts**



1.5T - 3.0T      4.0T - 10T      12T - 35T

**LPG Forklifts**



3.0T - 5.0T

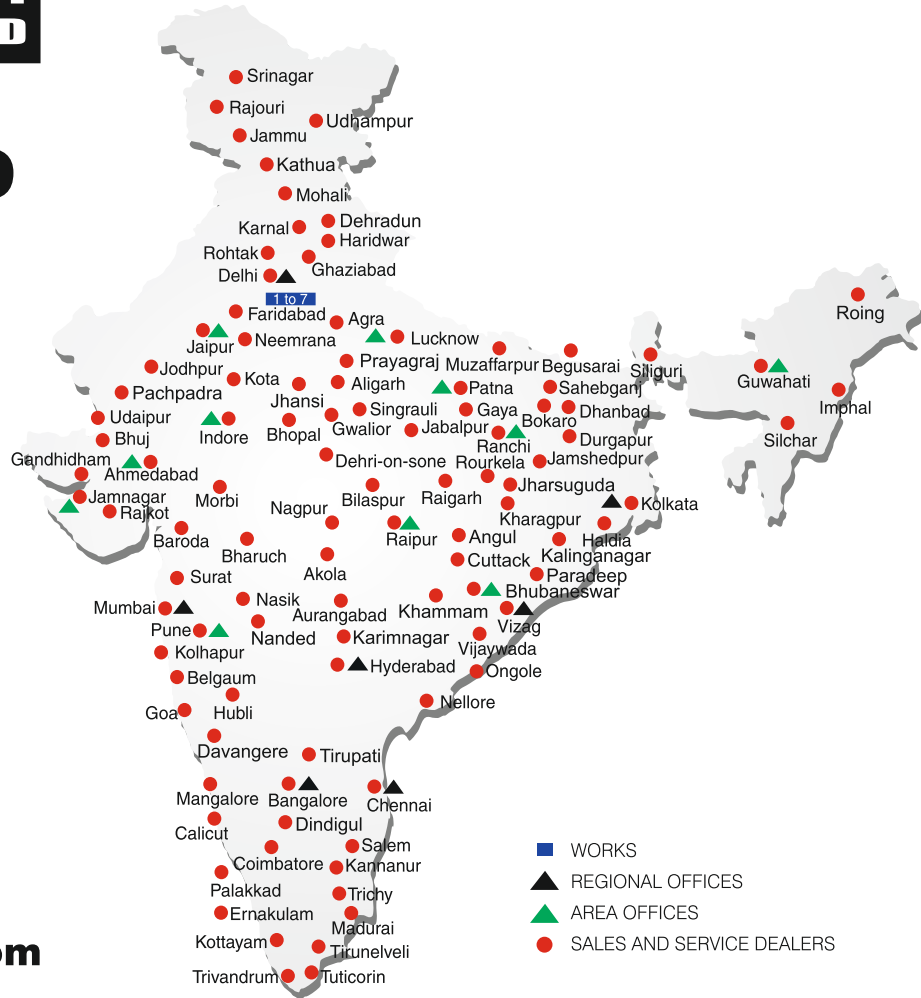
# BUILT TO PERFORM



**ACE** INDIA'S NO. 1  
CRANE BRAND

**RELIABLE AND  
DEPENDABLE  
EFFICIENCY**

## NETWORK



**Toll Free Help Line  
1800 1800 004**

[www.ace-cranes.com](http://www.ace-cranes.com)

### MARKETING H.Q.

4th Floor, Pinnacle  
Surajkund, NCR-121009  
Ph. : +91-129-4550000  
Fax : +91-129-4550022  
E-mail: [marketing@ace-cranes.com](mailto:marketing@ace-cranes.com)  
[forklifts@ace-cranes.com](mailto:forklifts@ace-cranes.com)

### REGISTERED OFFICE

Dudhola Link Road, Dudhola  
Palwal-121102, Haryana  
Ph.: +91-1275-280111  
Fax: +91-1275-280133  
CIN : L74899HR1995PLC053860

### MUMBAI OFFICE

31, "Kalpataru Court"  
Chembur, Mumbai - 400074  
Ph.: +91-22-25206846, 25207070  
Fax: +91-22-25207071  
E-mail: [acemumbai@ace-cranes.com](mailto:acemumbai@ace-cranes.com)  
[forkliftswest@ace-cranes.com](mailto:forkliftswest@ace-cranes.com)

### KOLKATA OFFICE

84A, AJC Bose Road, Fomra Tower -  
2nd Floor, Kolkata-700014  
Ph.: +91-9038070630  
E-mail: [acekolkata@ace-cranes.com](mailto:acekolkata@ace-cranes.com)  
[forkliftseast@ace-cranes.com](mailto:forkliftseast@ace-cranes.com)

### CHENNAI OFFICE

1st Floor, "Alsa Regency", 165  
Eldams Road, Alwar Pet  
Chennai - 600018  
Ph.: +91-44-24314253  
Fax: +91-44-24314252  
E-mail: [acechennai@ace-cranes.com](mailto:acechennai@ace-cranes.com)  
[forkliftssouth@ace-cranes.com](mailto:forkliftssouth@ace-cranes.com)

## HERE TO SERVE YOU.

### SPARE PARTS & SERVICE

ACE has all India Sales and Service network operating out of all the major cities. These outlets are fully equipped to provide genuine spare parts and services by company trained engineers. These outlets are further supported by company officials based at Delhi, Mumbai, Chennai, Kolkata, Ahmedabad, Surat, Pune, Jaipur, Chandigarh, Ranchi, Raipur, Indore, Bhubaneswar, Lucknow, Jamnagar, Hyderabad, Bangalore, Guwahati, Patna, Vizag & Kochi.



**Action Construction Equipment Ltd.**

Contact:



ACE reserves the right to alter any specifications without prior notice. Dimensions, weights & capacities mentioned herein are variable by ± 5%. Accessories if shown are not part of the Standard Equipment.