



Nothing beats an **ACE**

ACE

Diesel Forklifts

Capacity : 8,10,12 Tons

High Performance & rugged
Diesel Forklift Trucks.



ACE INDIA'S NO. 1
CRANE BRAND



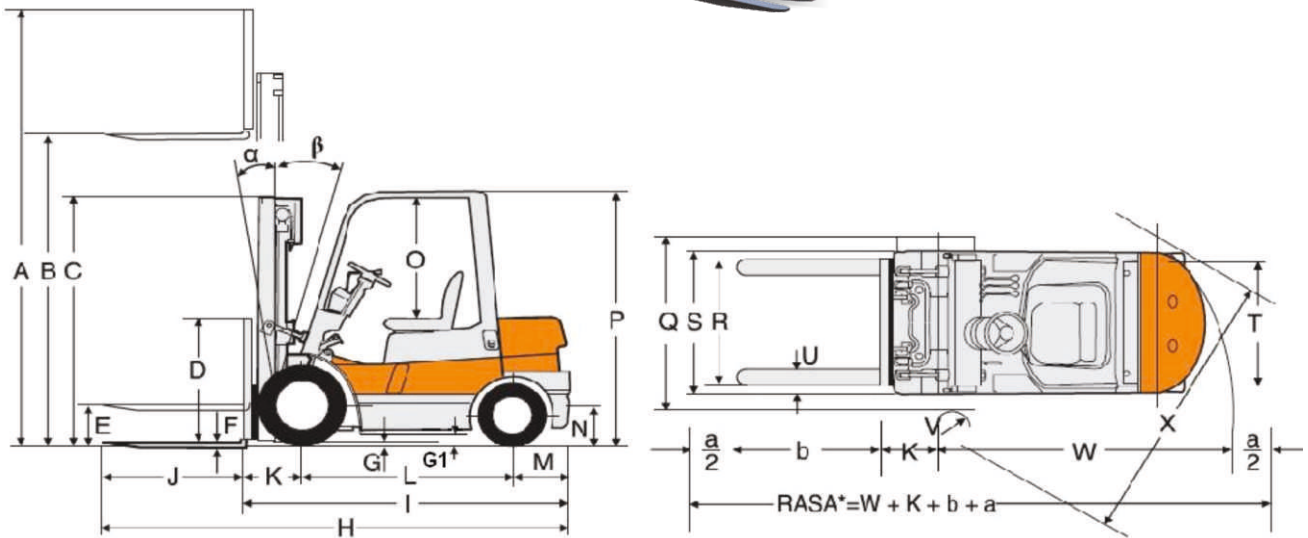


STANDARD SPECIFICATIONS

Model			Unit	AF 80D	AF 100D	AF 120D	
Load Capacity			Kg	8000	10000	12000	10000
Load Center			mm	600			900
Power				Diesel			
Tyres	Front / Rear			Pneumatic			
Wheel (s)	Front / Rear			4/2			
Fork Lift Height (std.)			mm	3000			
Fork Size (LxWxT)			mm	1200 X 150 X 65	1200 X 175 X 85		
Transmission	Number of Speeds - Fwd / Rev			5/10			
Speed (s)	Travel (Fwd / Rev)	With /Without Load	Km/h	18			
	Lifting	With Load	mm/Sec	300			
		Without Load	mm/Sec	320			
	Lowering	With Load	mm/Sec	450			
		Without Load	mm/Sec	300			
Gradeability (Laden/Unladen)			% (Deg)	18% (10.2°)			
Total Weight			Kg	10550	13300	14050	
Tyre Sizes		Front		8.25-15-14 PR	9.00 – 20 – 14PR		
		Rear		8.25-15-14 PR	9.00 – 20 – 14PR		
Wheel Base			mm	2300	2750	3200	
Brake (s)	Service			Hydraulic-Foot Pedal			
	Parking			Mechanical-Hand Lever			
Battery	Voltage / Capacity		V / Ah	12/130			
Engine	Make/Model			Mahindra/ MCVNC35TI110CE4 (VNEF110)			
	Emission Norms (Model)			BS 4			
	Rated Horsepower		Bhp@rpm	110 bhp @ 2300			
	Rated Torque		Nm@rpm	420 @ 1500			
	Number of Cylinders			4			
	Displacement		Ltrs.	4			
	Fuel Tank Capacity		c	140			
Operating Pressure	For Attachment		Kg/cm2 (Bar)	190			

Mast Details

Mast type	Maximum Fork height (mm)	Load capacity (kg)			Overall height lowered (mm)			Overall height Raised (mm)			Free lift (mm) (Without load backrest)			Tilt Angle (α/β)			Weight of Forklift (Kgs)		
		AF 80D	AF 100D	AF 120D	AF 80D	AF 100D	AF 120D	AF 80D	AF 100D	AF 120D	AF 80D	AF 100D	AF 120D	AF 80D	AF 100D	AF 120D	AF 80D	AF 100D	AF 120D
Double Mast 3.0 mtrs. (STD)	3000	8000	10000	12000	2775	2840	4600	4490	150	200	5/10			10550	13300	14050			
Double Mast 3.6 mtrs. (STD)	3600	8000	10000	12000	3225	3200	5200	5090	150	200	5/10			11580	14425	14500			
Double Mast 4.5 mtrs. (STD)	4500	7800	9500	11000	3875	3940	6100	5990	150	200	5/5			12380	15285	16035			
Double Mast 5.0 mtrs. (STD)	5000	7400	9000	10300	4125	4190	6600	6490	150	200	5/5			12980	15785	16535			
Double Mast 6.0 mtrs. (STD)	6000	6000	7800	9000	4525	4590	7600	7490	150	200	5/5			13880	16685	17435			



STANDARD DIMENSIONS

Model	AF80D	AF100D	AF120D
A. Overall height Fork Raised	4600	4490	4490
B. Max. fork height (Standard Model)	3000		
C. Overall height fork lowered	2775	2840	2840
D. Backrest height (from upper face of forks)	1470	N/A	N/A
E. Free lift	150	200	200
F. Fork thickness	65	85	85
G. Min. clearance (bottom of mast)	175	240	240
G1. Min. clearance (bottom of chassis)	170	270	270
H. Overall length (with forks)	4970	5450	5900
I. Overall length (without forks)	3770	4250	4700
J. Fork length	1200	1200	1200
K. Front overhang	580	720	720
L. Wheel base	2300	2750	3200
M. Rear overhang	890	870	870
N. Coupler height	420	420	420
O. Height from Seat to O/H Guard	980	970	970
P. Overall height (overhead guard)	2590	2680	2680
Q. Overall width	2035	2170	2170
R. Lateral fork adjustment	300-1960	430~2140	430~2140
S. Trade (front)	1465	1595	1595
T. Trade (Rear)	1765	1720	1720
U. Fork width	150	175	175
W. Outside turning Radius	3750	4250	4900

* All dimensions are in mm.

* RASA = Right Angle Stacking Aisle, a = Operator Clearance, b= Load Length

Note :

1. ACE reserves the right to alter any specifications without prior notice.
2. Dimensions, Weights & Capacities mentioned herein are variable by $\pm 5\%$.
3. Accessories, if shown are not part of the standard equipment.



STANDARD EQUIPMENT

- Wide view mast
- Load backrest for AF80D
- Standard forks
- Power steering
- Retaining rollers
- Overhead guard
- Standard seat (Adjustable)
- Drawbar pin
- Air cleaner
- Parking brake lever
- Lift, tilt levers
- Dipstick for TC oil
- Return hydraulic filter
- TC oil filter
- Lift Circuit cut-off valve
- Overhead air intake
- Radiator reservoir
- Tilt adjustable steering wheel
- Turn indicator Lights
- Hour meter
- Water temperature meter
- Fuel meter
- Engine oil pressure warning indicator
- Electric charge indicator
- Halogen head lights
- Rear combination lights
- Rear view mirrors
- Reverse Buzzer
- Electric horn
- Neutral safety switch (TC)
- Rubber floor mat
- Tool kit

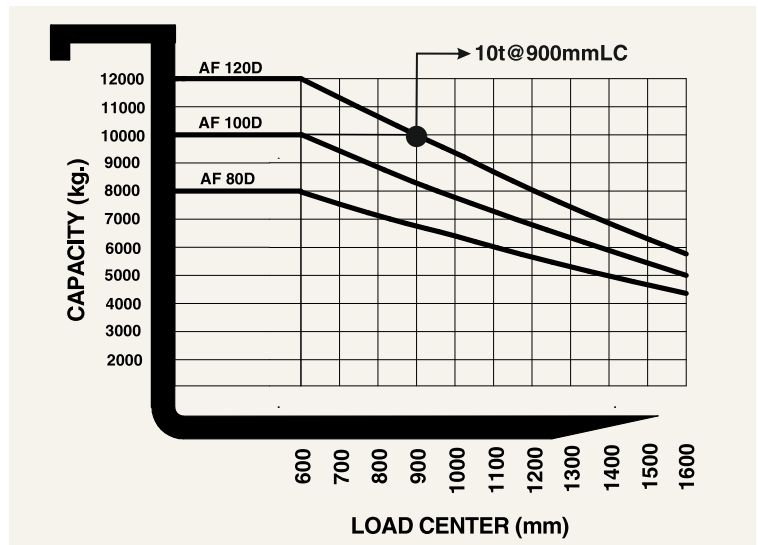
OPTIONAL EQUIPMENT

- Different Mast type
- Solid tyres
- Fire extinguisher
- Enclosed cabin
- Long Forks
- 3/4 spool hydraulics

OPTIONAL ATTACHMENTS

- Fork extensions
- Fork positioner
- Fork positioner cum side shifter
- Crane attachment
- Ram attachment
- Container handling model (20' empty)

LOAD CHART



Note : 12.0 Ton also suitable for 10 Ton @900 mm Load Center

Note : Above Load Chart is for standard lift height of 3.0m STD & 3.6m STD



Model AF80D (Empty Container Handler)

- Robust design to handle 3 high stacking (6 mtr lift height)
- Fitted with wide carriage and 2400 mm long forks for stability



COMPLETE INTRALOGISTIC SOLUTION



*Nothing beats an **ACE***

Electric/Li-ion Forklifts		Diesel Forklifts			LPG Forklifts
1.5T - 3.0T	4.5T - 8.0T	1.5T - 3.0T	4.0T - 10T	12T - 35T	3.0T - 5.0T

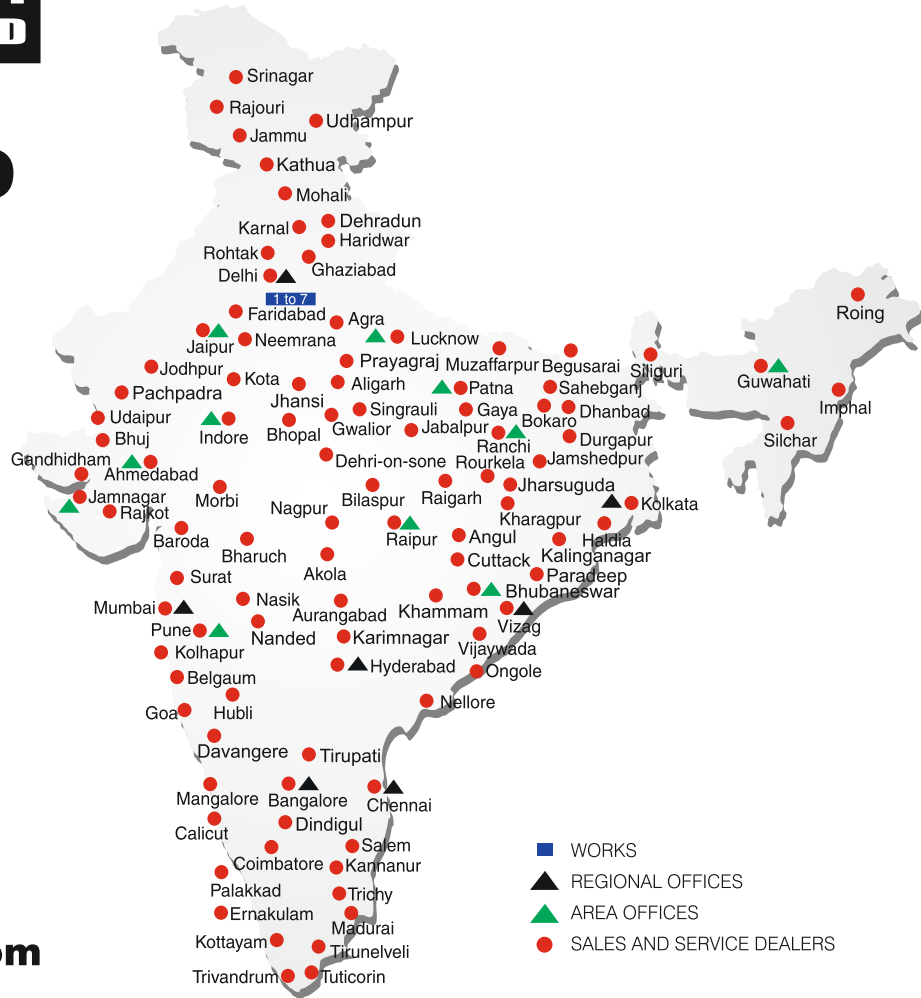
BUILT TO PERFORM



ACE INDIA'S NO. 1
CRANE BRAND

**RELIABLE AND
DEPENDABLE
EFFICIENCY**

NETWORK



**Toll Free Help Line
1800 1800 004**

www.ace-cranes.com

MARKETING H.Q.

4th Floor, Pinnacle
Surajkund, NCR-121009
Ph. : +91-129-4550000
Fax : +91-129-4550022
E-mail: marketing@ace-cranes.com
forklifts@ace-cranes.com

REGISTERED OFFICE

Dudhola Link Road, Dudhola
Palwal-121102, Haryana
Ph.: +91-1275-280111
Fax: +91-1275-280133
CIN : L74899HR1995PLC053860

MUMBAI OFFICE

31, "Kalpataru Court"
Chembur, Mumbai - 400074
Ph.: +91-22-25206846, 25207070
Fax: +91-22-25207071
E-mail: acemumbai@ace-cranes.com
forklifts@ace-cranes.com

KOLKATA OFFICE

84A, AJC Bose Road, Fomra Tower -
2nd Floor, Kolkata-700014
Ph.: +91-9038070630
E-mail: acekolkata@ace-cranes.com
forkliftseast@ace-cranes.com

CHENNAI OFFICE

1st Floor, "Alsa Regency", 165
Eldams Road, Alwar Pet
Chennai - 600018
Ph.: +91-44-24314253
Fax: +91-44-24314252
E-mail: acechennai@ace-cranes.com
forkliftssouth@ace-cranes.com

HERE TO SERVE YOU.

SPARE PARTS & SERVICE

ACE has all India Sales and Service network operating out of all the major cities. These outlets are fully equipped to provide genuine spare parts and services by company trained engineers. These outlets are further supported by company officials based at Delhi, Mumbai, Chennai, Kolkata, Ahmedabad, Surat, Pune, Jaipur, Chandigarh, Ranchi, Raipur, Indore, Bhubaneswar, Lucknow, Jamnagar, Hyderabad, Bangalore, Guwahati, Patna, Vizag & Kochi.



Action Construction Equipment Ltd.

Contact:



ACE reserves the right to alter any specifications without prior notice. Dimensions, weights & capacities mentioned herein are variable by ± 5%. Accessories if shown are not part of the Standard Equipment.